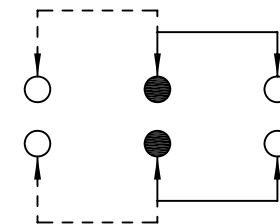
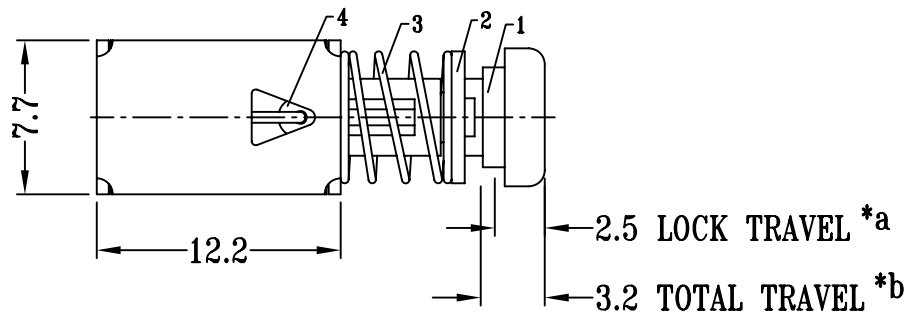
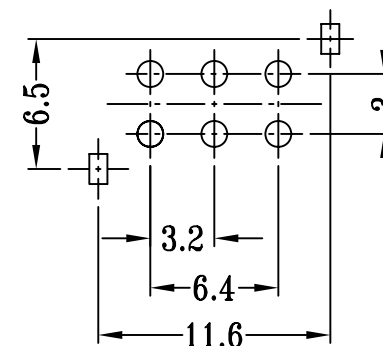
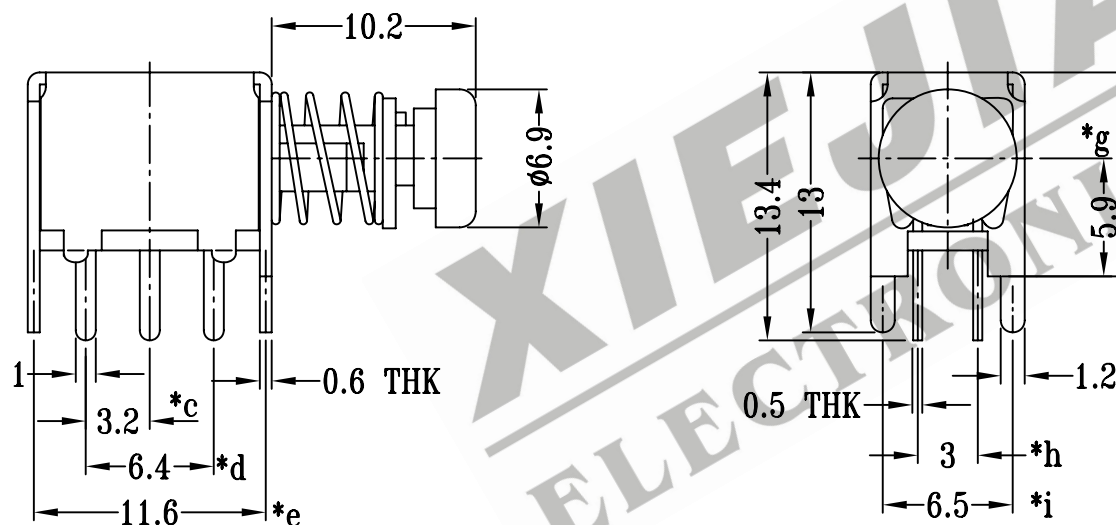


CAD FILE:



**SCHEMATIC (NON-SHORTING)**



**P.C.B LAYOUT**

注：“\*”表示关键尺寸（9个）

10	CONTACT CLIP	PBS STRIP	2	Ag CLAD
9	KNOB	POM	1	BLUE
8	CAM STICK	PBS WIRE	1	NATURAL
7	TERMINAL	BRASS STRIP	6	Ag PLATED OVER Ni PLATED
6	BASE	PHENOLIC RESIN	1	NATURAL
5	FRAME	STEEL STRIP	1	Ni PLATED
4	SPRING PLATE	PBS STRIP	1	NATURAL
3	SPRING	STEEL WIRE	1	Ni PLATED
2	BLOCK	STEEL STRIP	1	Ni PLATED
1	SLEEVE	POM	1	BLACK
NO.	PART NAME	MATERIAL	Q'TY	FINISHING

TOLERANCE UNLESS SPECIFIED		SHENZHEN XIEJIA ELECTRONICS CO.,LTD.		
WITHIN: 1.5±0.1mm OVER : 1.5±0.2mm		ISSUE	DATE	APPD.
TITLE : PUSH SWITCH		UNIT : MM	DRWG NO.: XJ-DR-PS22F202-00	
MODEL: PS-22F202 (LOCKED)		SCALE: 5:2	DWN. ZHOUYU	2005-9-4
ALL MATERIALS MUST BE COMPLIANT TO ROHS			CHK'D FANGYING	2005-9-4
			APPD. KANGXINAN	2005-9-4